



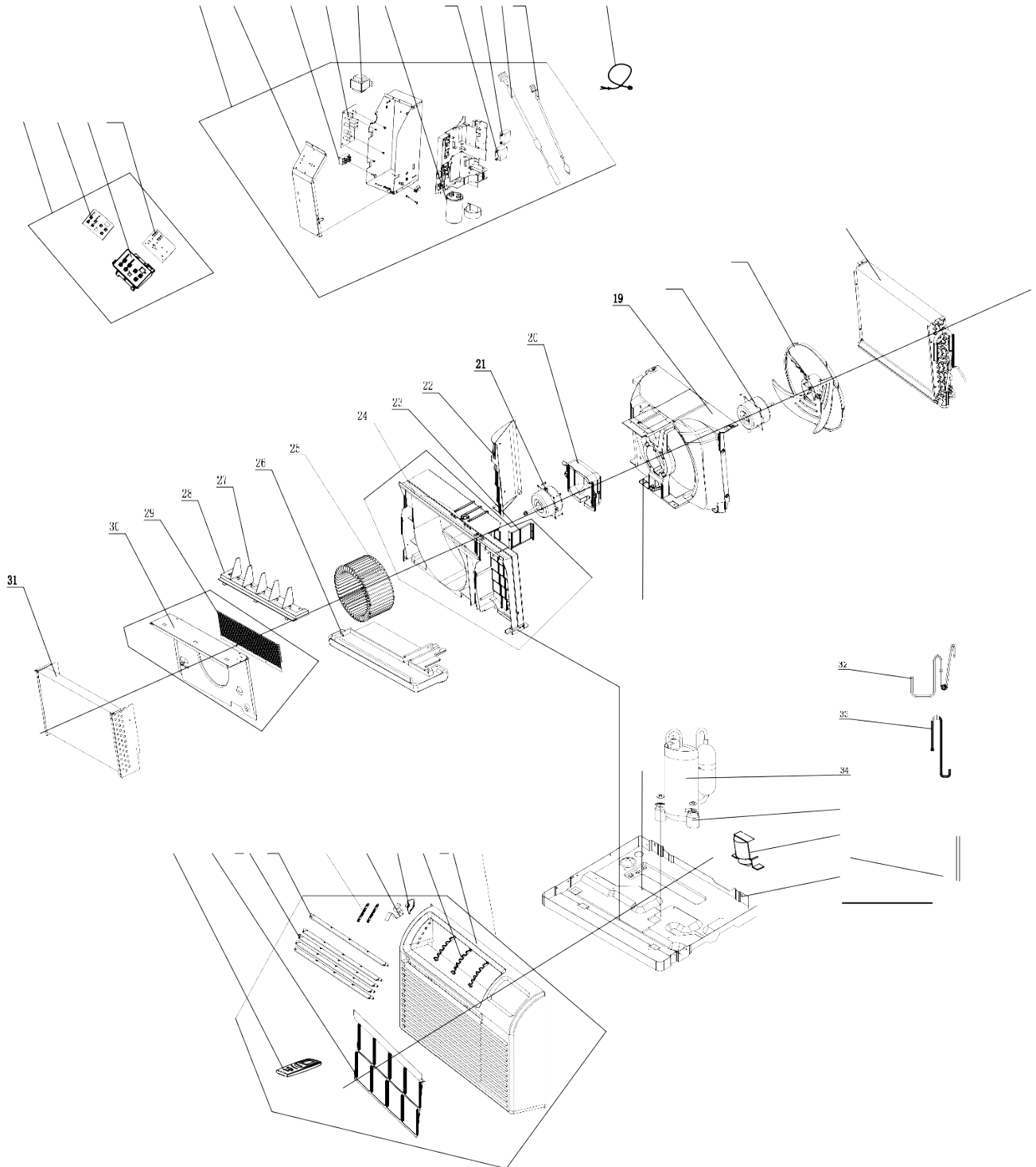
PARTS LIST

Room Air Conditioner

PTTC09B-1



EXPLODED VIEW



REPLACEMENT PARTS

Location	Part Name	Quantity	Part No.
1	LCD Cover Sub-assy	1	209044060010_X30266
2	Membrane	1	63029901723
3	LCD Cover	1	2012103301
4	Display Board	1	300001060114
5	Electric Box Assy	1	100002061521_X30266
6	Electric Box Cover	1	01411405
7	Terminal Board	1	42011103
8	Main Board	1	300002000834
9	Transformer	1	450002000010
10	Capacitor CBB65	1	33000081
11	Capacitor CBB61	1	3301074710
12	Capacitor CBB61S	1	3301074701
13	Temperature Sensor	1	390000598
14	Temperature Sensor	1	390001978G
15	Pwer cord (LCDI)	1	4002036351
16	Condenser Assy	1	011002000735
17	Axial Flow Fan	1	10331008
18	Fan Motor	1	1501104710
19	Diversio Circle	1	200150000001
20	Baffle Plate	1	200012000015
21	Fan Motor	1	150110335
22	Baffle Plate	1	200012000010
23	Baffle Plate	1	26112905
24	Propeller housing Assy	1	209027000004
25	Centrifugal Fan	1	10312903
27	Air Louver	5	10512907
28	Swing Louver Clamp	1	24211045
29	Rear Grill	1	01451001
31	Evaporator Assy	1	01100100159
32	Inhalation Tube	1	03500600404
33	Discharge Tube	1	03500800441
34	Compressor and Fittings	1	00101372
35	Compressor Gasket	3	76710302
36	Drainage Valve	1	07101001
37	Capillary Sub-assy	1	03000600238
38	Chassis Sub-assy	1	017000000319P
40	Front Panel	1	27230010744
41	Guide Louver Support	3	2421290601
42	Ratchet Wheel	1	24232901
43	Click Spring	1	73022901
44	Linkage of Guide Louver	2	1058290403
45	Guide Louver 2	4	1051290901
46	Guide Louver 1	1	1051290801
47	Filter Sub-Assy	1	1112103002
48	Remote Controller	1	30510092_X30266

Due to ongoing product improvements, specifications and dimensions are subject to change and correction without notice or incurring obligations. Determining the application and suitability for use of any product is the responsibility of the installer. Additionally, the installer is responsible for verifying dimensional data on the actual product prior to beginning any installation preparations.

Incentive and rebate programs have precise requirements as to product performance and certification. All products meet applicable regulations in effect on date of manufacture; however, certifications are not necessarily granted for the life of a product. Therefore, it is the responsibility of the applicant to determine whether a specific model qualifies for these incentive/rebate programs.

Comfort-Aire[®]

1900 Wellworth Ave., Jackson, MI 49203 • Ph. 517-787-2100 • www.marsdelivers.com

